

RBI-S180

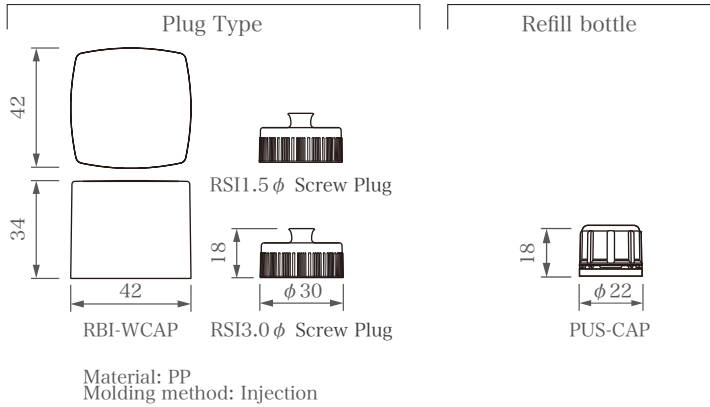
Sophisticated Square Bottle that is Easy to Refill, Reusable, and Sustainable

Containers shown : RBI-S180
Cap : RBI-WCap
Inner plug : RS11.5φ Screw Plug

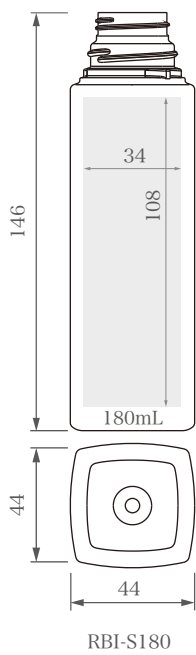


A square mother bottle has been created with a wider mouth and a removable orifice reducer for easy refilling. The stylish design, where the cap and bottle are perfectly integrated, is recommended for skin care products. The bottle has a capacity is 180mL and is made from sustainable plant-based biomass PET.

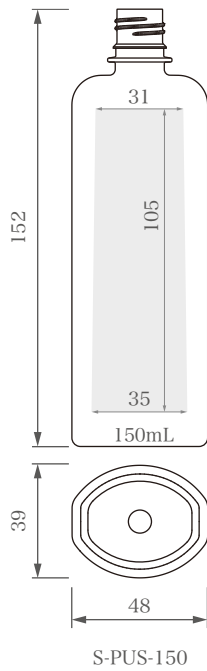
RBI-S180 — Removable Orifice Reducer! Square Bottle for Skincare —



Material: PP
Molding method: Injection



RBI-S180



S-PUS-150

Material: Biomass PET
Molding method: Injection Stretch Blow

※The of the RBI-S180 indicates the maximum printing area with pad printing, and the of S-PUS-150 indicates the maximum printing area with silk screen printing.
※Shrink labelling is also available. Please contact us for more details.



This container is made from biomass materials, using plant-derived molasses (such as sugar cane) as the raw material and replacing the ethylene used in resin production with plant-derived sources. On request, the product can also be made from chemically recycled PET, which is made from collected PET bottles that have been broken down and refined.

TCS Takemoto Colour Selection

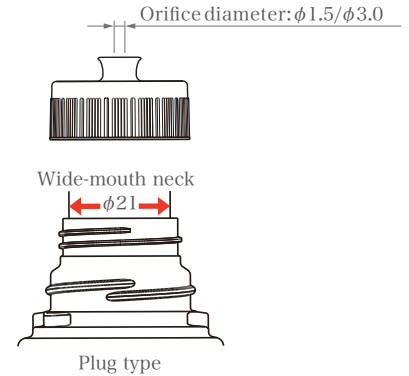
Compatible Component

A selection of a total of 42 colors, including 19 standard colors, 16 matte colors, and 7 gentle nuanced colors are available for PET injection stretch blow molded products. This range of stock colors can shorten the development period from product planning to commercialization.

Easy to refill



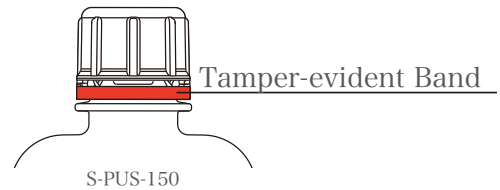
- Wider diameter compared to the standard size
- Easy-to-remove screw-type plug
- Two different orifice-size plugs for accurate flow control



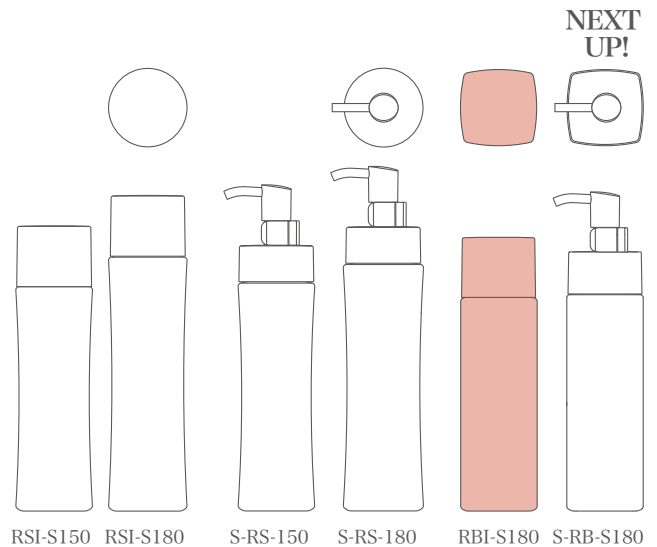
Easy to pour-out



- Easy-to-open tamper-evident cap
- Easy-to-refill due to the narrow neck-size of the refill bottle
- Thin-wall bottle ideal for refill containers



Easy Refill Series



If you require capacities other than those listed above, please contact our sales representatives.