

DM-500KR

A Beautiful Glass-work Inspired Addition to the Engraved D • DM Series



PD-3033EVI PumpB
Barrier-free type with tactile
identifiers on the top surface.



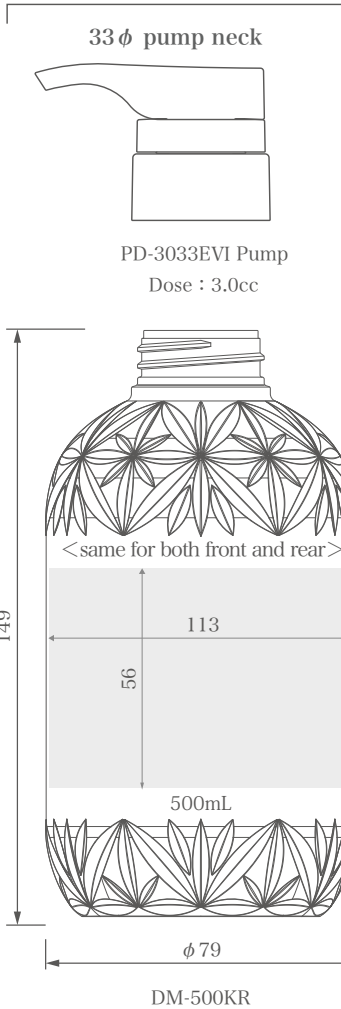
PMP/YS Cap
DM-500KR



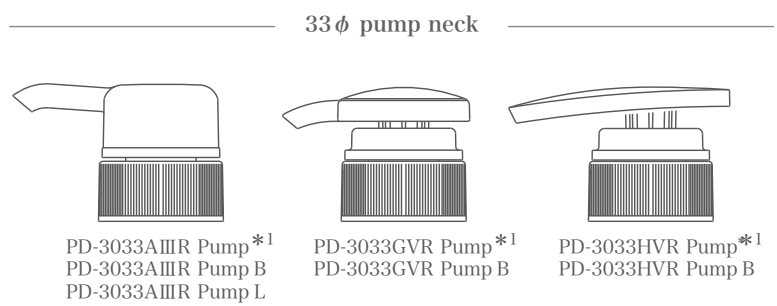
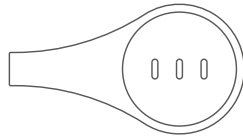
This 3cc pump bottle features sculpted engravings reminiscent of glass artistry on the upper and lower parts of the bottle. The dazzling design, where light reflects off the engravings, is eye-catching both in stores and on social media. With a 500mL capacity, it is suitable for a wide range of uses, including hair care, body care, and bath products.

DM-500KR

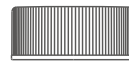
Biomass PET Bottles with Glass-Like Sculpted Engravings



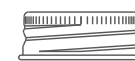
Material : PP
Molding method: injection



*1 Also available with unribbed closure as a made-to-order specification.
Barrier-free and high-viscosity type pumps are also available.



PMP/YS Cap



PMP/YS Alm Cap



33 φ Flip-Top Cap*2

*2 Not available for sale in the EU



Containers made with plant-derived raw materials

These containers are made with biomass materials in which molasses from plants (sugar cane etc.) is used as a raw material so that the ethylene used in the production of the resin is bio-based.

TCS Takemoto Colour Selection

Compatible Component

A selection of a total of 42 colors, including 19 standard colors, 16 matte colors, and 7 gentle nuanced colors are available for PET injection stretch blow molded products. This range of stock colors can shorten the development period from product planning to commercialization.

Bottle material : Biomass PET
Molding method: injection stretch blow

- * area on the drawings below indicates the maximum printing range for silkscreen printing.
- * Shrink film and labeling are also possible. Please contact us for details.

Engraved Relief Design for Enhanced Originality



The relief sections on the top and bottom can also feature your custom engravings, contributing to brand appeal.

Selected bottles with relief engravings

