

# RE-35III

## Premium Serum Bottle!

### Sustainable Pump Bottle Refill System



PA-28 Cap  
RED-35III

RE-35III Over Cap  
PD-P0324ZREIII pump  
RE-35III

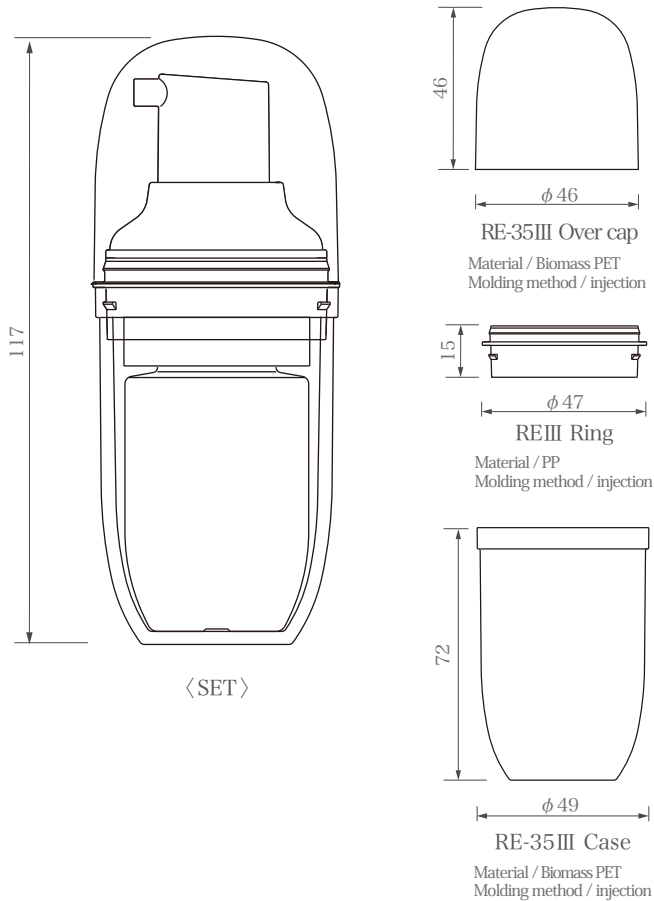
PD-P0324ZREIII pump  
RE-35III

RE-35III Over Cap

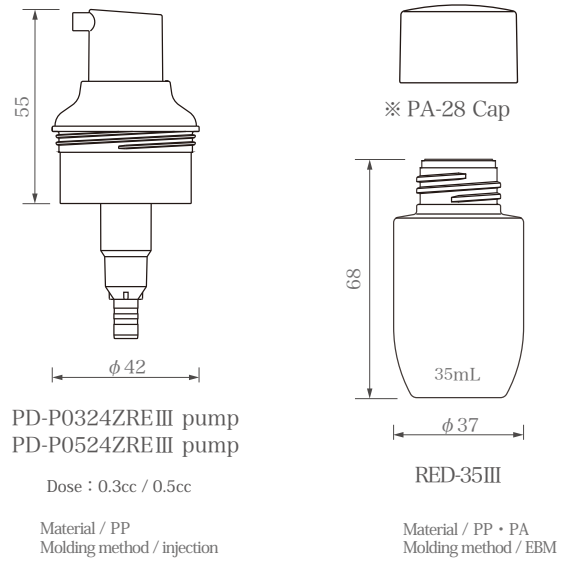


Introducing a 35mL pump bottle refill system that exudes luxury. The airless refill bottle features a multi-layer delaminating structure to minimize oxidation of the formula. You can choose from two pump dispensing options: 0.3cc and 0.5cc. It's ideal for special care products like serums.

# RE-35III — Premium Serum Bottle Refill System —

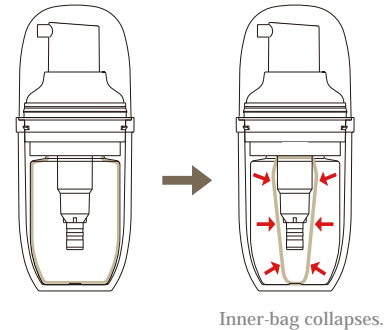


※ Refill caps are available in shapes other than those featured here.  
Please contact your sales representative for details.



## ■ Airless Refill Bottle

The refill is an airless bottle that minimizes contact of the contents with air.



### Containers made with plant-derived raw materials

These containers are made with biomass materials in which molasses from plants (sugar cane etc.) is used as a raw material so that the ethylene used in the production of the resin is bio-based.

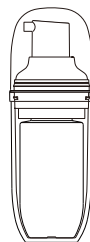
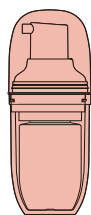
### This environmentally friendly product significantly reduces

the amount of petrochemical-derived raw materials used in the production of new bottles by allowing the repeated usage of the Cap and Case. This system also reduces the amount of disposed plastic after the refill bottle is used-up.

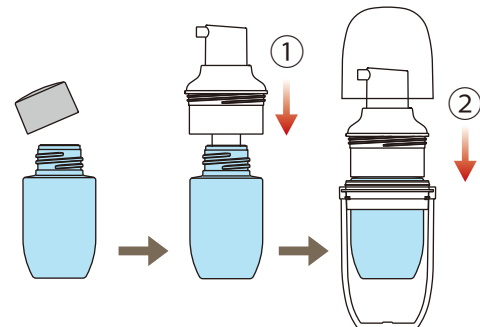
## REIII Series

We are currently in the process of developing a 50mL size in the same series.

### NEXT UP!



## ■ Refill replacement method



Remove the refill cap

1. Set the pump on the refill.

2. Place the refill with the pump into the case and attach the over cap.