

YP-B Series

**New PE bottle series
for postal delivery**
featuring an elegant ribbed design!



Bottle : YP-B-150 / YP-B-180
Cap : 15-415 Flip-Top Cap



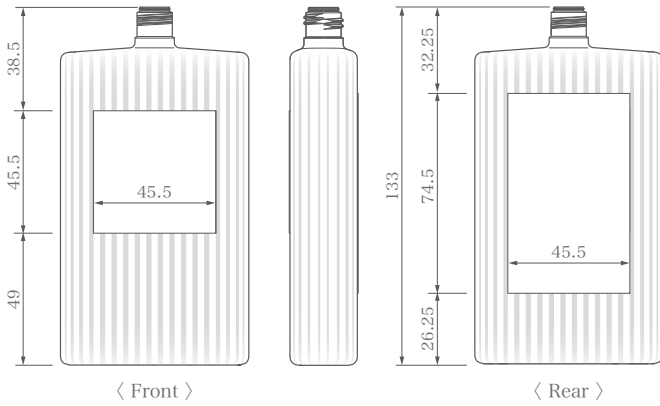
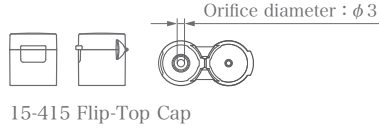
These stylish oval bottles are designed for postal delivery with a thickness of less than 30mm. The series features a ribbed design and are made with BIO-PE material.

Thanks to the larger capacity in comparison to other postal-delivery bottles, they can be used for either product samples or commercial products.

Select the ideal design and capacity to suit your product concept.

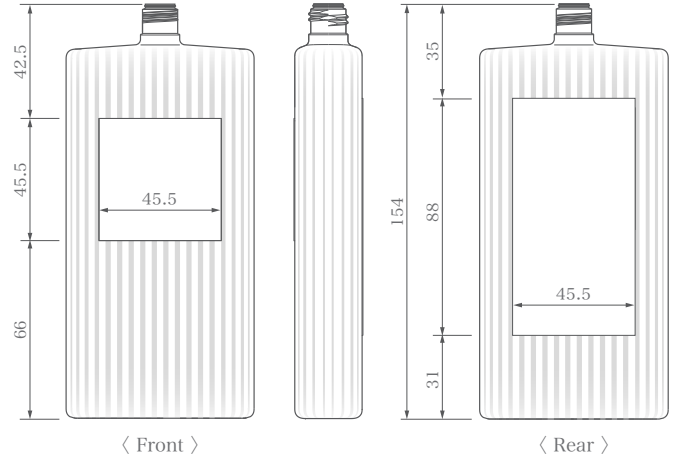
YP-B Series

Bottles for postal delivery with an elegant ribbed design



YP-B-150

Standard capacity: 150mL



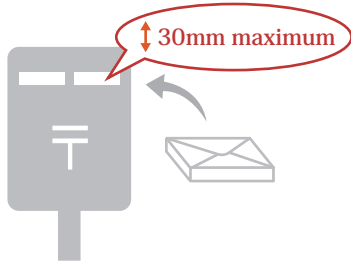
YP-B-180

Standard capacity: 180mL

Material : HDPE (contains 30% biomass PE)
Molding method : Extrusion blow molding

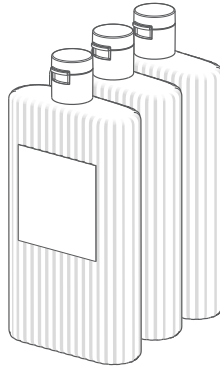
■ Idea size for postal delivery

The bottles are just 25mm thick, so the total thickness will not exceed 30mm even when an outer box is used. These self-standing bottles have a presence missing from flexible packaging. The slim design makes them perfect to take on the go.

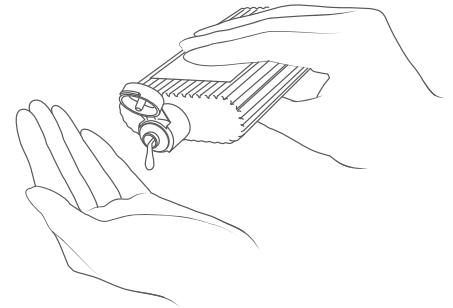


■ Display-friendly design

Space-efficient and easy to display on the shelf.



■ Easy to squeeze



Selection of packaging for postal delivery

