

FPHI-400

Introducing a heat-resistant PET bottle compatible with hot-filling.

Perfect for liquid seasonings such as sauces, soup stock and flavored oils !

Ideal for a wide variety of products such as dressing, pasta sauce, and oil. The bottle features a leaf-shaped panel design, making it easy to handle.

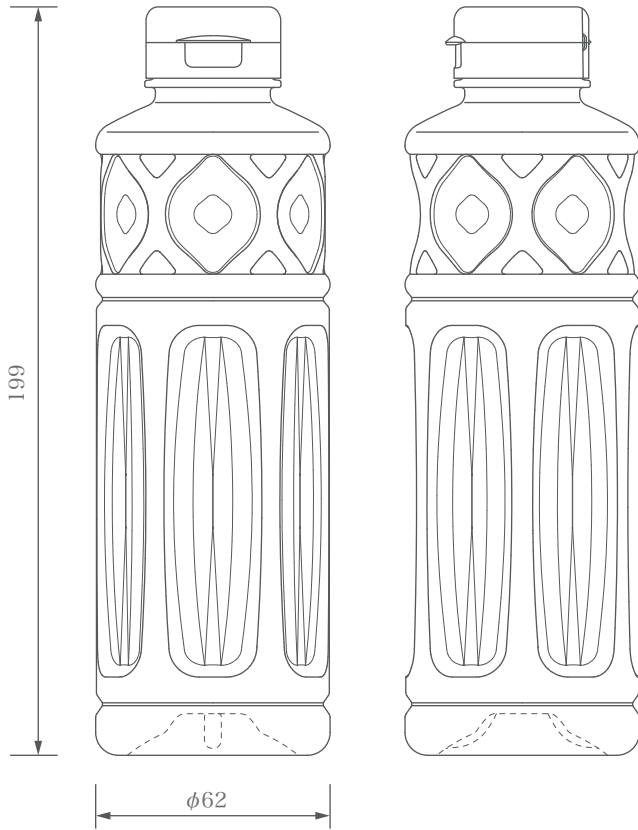


A PET bottle for liquid seasonings that can be hot-filled up to 87 °C. It is suitable for various seasoning products that require heat sterilization.

It's kept on inventory and can be purchased by the carton.

* Positioning jig is required for partial shrink film application.

FPHI-400 – New heat-resistant PET bottle for hot-filling! –

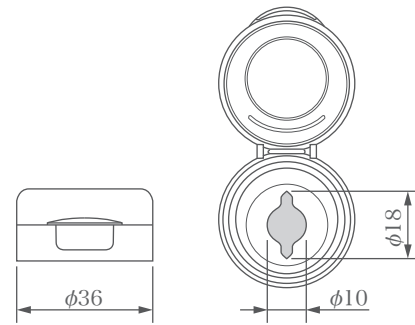


FPHI-400

Heat-resistance temperature : 87°C

Material : PET

Molding method : injection stretch blow molding



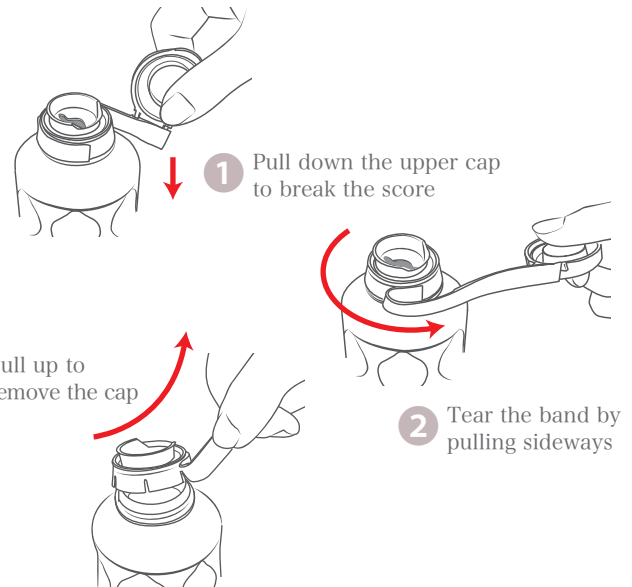
Orifice shape

32 Smooth-pull Hinge Cap
(heat-resistant)

- * inventory color : gold ● Material : LLDPE
- * Snap-on cap Molding method : Injection

■ Easy to detach

Cap can be detached from the bottle easily for disposal



Compatible with shrink film and labeling

You can change the product image by decorating all or part of the surface with shrink film, a label, etc.



Shrink film application

Label application
Partial shrink film application*1

Roll label application

* 1 Positioning jig is required for partial shrink film application.

Notes on usage

- The heat-resistance temperature of 87°C has been evaluated in-house by Takemoto.
- Heat-resistance temperature and chemical resistance of the bottle may vary depending on the conditions of use. Please be sure to conduct a filling trial before use and consider all requirements and setting of expiration dates.
- Thermal expansion of the contents should be considered when setting filling capacity.
- Depending on the characteristics of the contents and the storage environment after filling, decompression of the bottle may occur.