

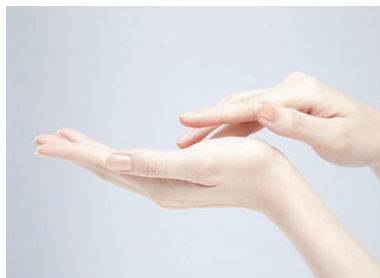
DI Dropper for TBG Series

Diamond cut-design dropper closure ideal for beauty serum!

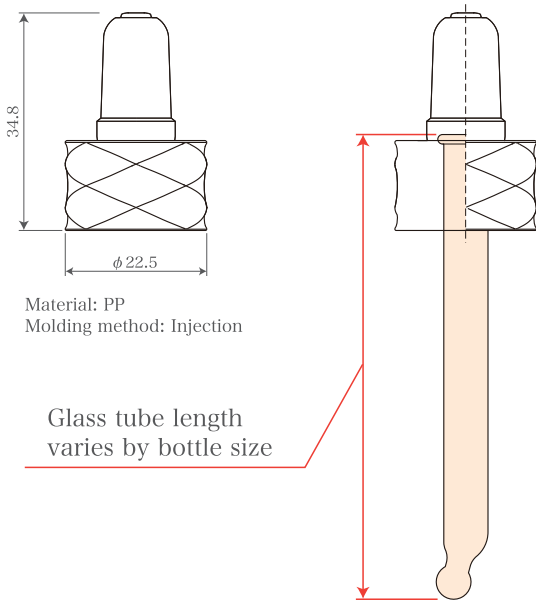


Accessories shown: (from the left) TBG DI Dropper (silicon bulb), TBG DI Dropper (elastomer bulb)

Diamond cut-design offers visual impact and product differentiation. Through decoration such as coloring and metallization, a range of different brand images can be explored.



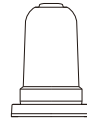
DI Dropper for TBG Series — Diamond-cut Design!



Range of available bulb and closure options

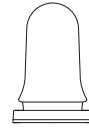
It is possible to select and combine the bulb material and closure design to suit the formula and product image. The bulb is available in black or white.

Elastomer (TPE) material



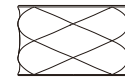
- Good moisture barrier properties to prevent volatilization of formula.

Silicon material

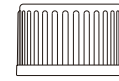


- Easy to squeeze with simple and clean form.

Select and combine!



Diamond cut



Ribbed



Smooth

■ Bottle volume vs. dropper length

Dropper length	Bottle volume 10ml		Bottle volume 15ml		Bottle volume 20ml	Bottle volume 30ml			Bottle volume 50ml		
	AG (brown)	TBG (blue)	AG (brown)	TBG (blue)	AG (brown)	CG (Clear)	AG (brown)	TBG (blue)	AG (brown)	TBG (blue)	
	55mm		55mm		73mm	75mm	82mm			89mm	

©The dropper lengths shown are kept on inventory.

Custom dropper lengths are available in order quantities of 30,000+ on request.

DI Cap Series

The DI Series includes bottle shoulder rings and cream jar caps, making it possible to develop a full line of beauty products.



Compatible bottles (Glass Series)

